

## MOUNTING THE ROUTER BOSS DIGITAL READOUT ON THE WOOD RAT

By: Randy Dailey

The DRO mounts to the bottom of the channel, underneath the router plate centerline, on the Router Boss (RB). This is not a usable location on the Wood Rat (WR) due to the interior chamfer on the channel. After some layout work in Sketchup and staring at my WR for awhile, I determined that a good alternate location would be on the top side just to the right of the dust chute, as shown in Figure 1.

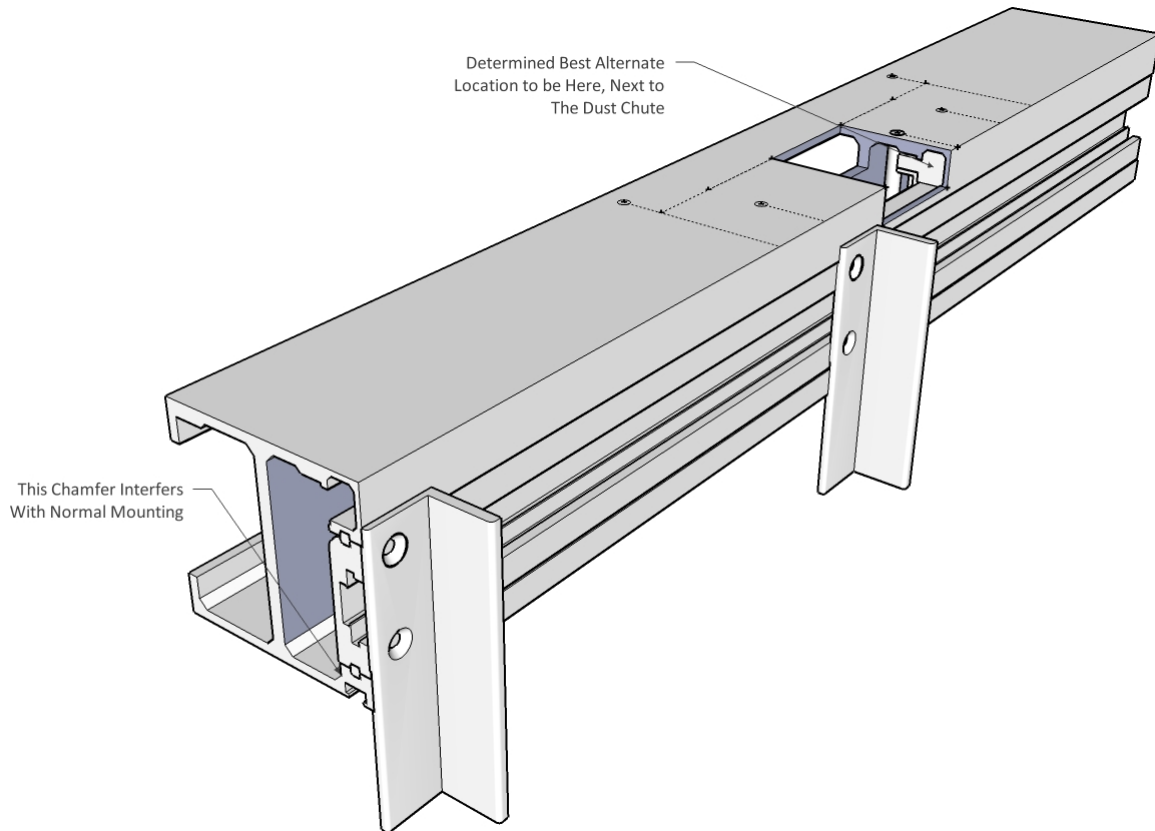
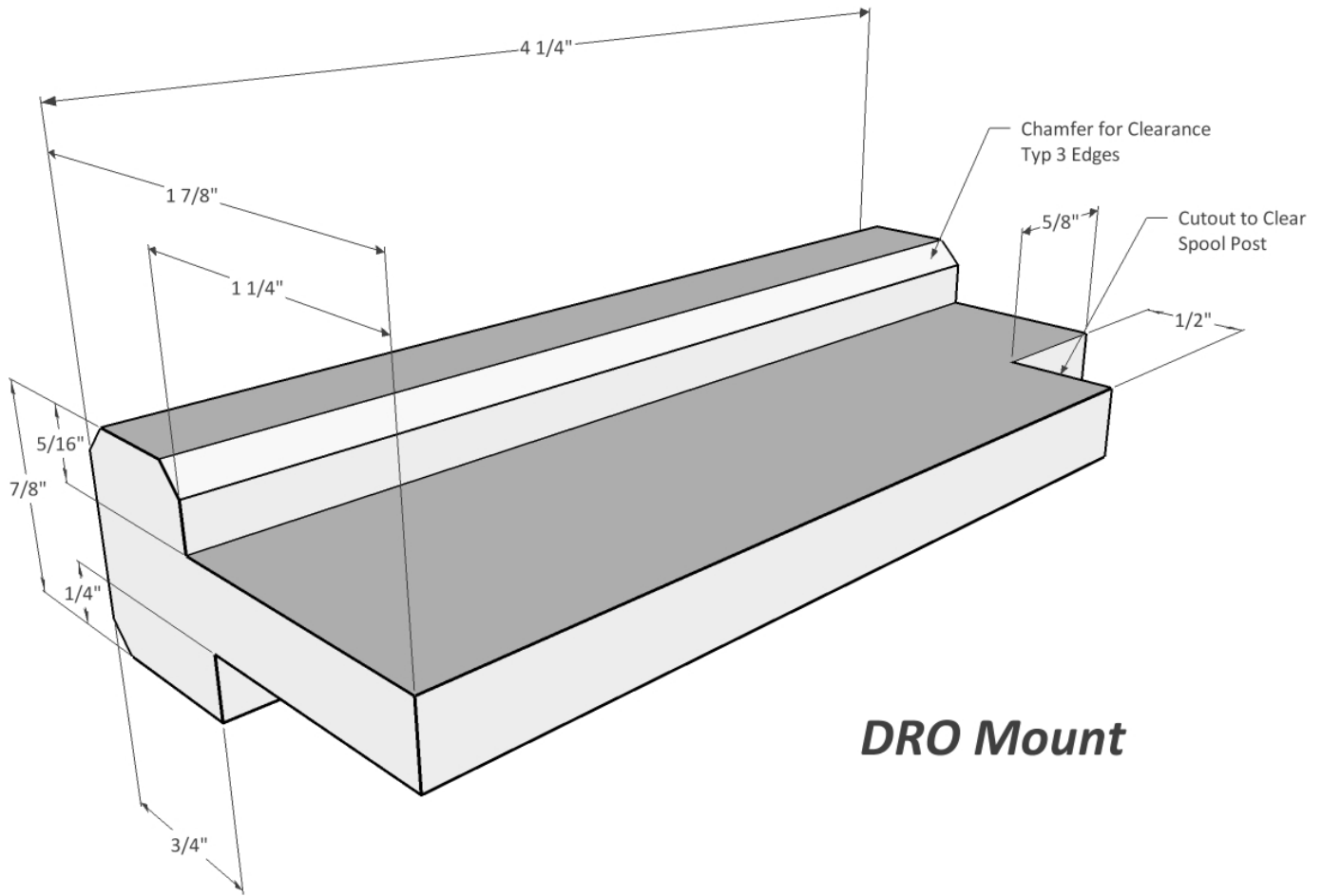


Figure 1

I made a DRO mount to fit the channel shape on the upper side. After a couple of false starts, I had a mount that would work. I used some oak scrape I had laying around. The mount was notched on the left end to clear the spool shaft so that I could line up the left edge of the mount with dust chute cutout. The mounting leg of the left hand DRO stop also needed to be cut short to clear the shaft. I transfer punched the location for the mounting holes for the stops and the DRO reader head clip. I drilled  $\frac{1}{4}$  inch holes to allow for some adjustment of the stops and clip. Figure 2 is a sketch giving the dimensions of the final version of the mount I ended up with. Figure 3 and Figure 4 show the top and bottom views of the mount with stops and reader clip installed.



## DRO Mount

Figure 2

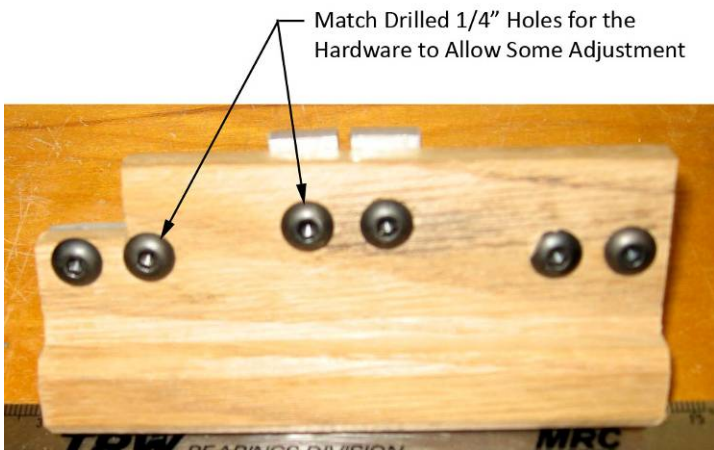


Figure 3

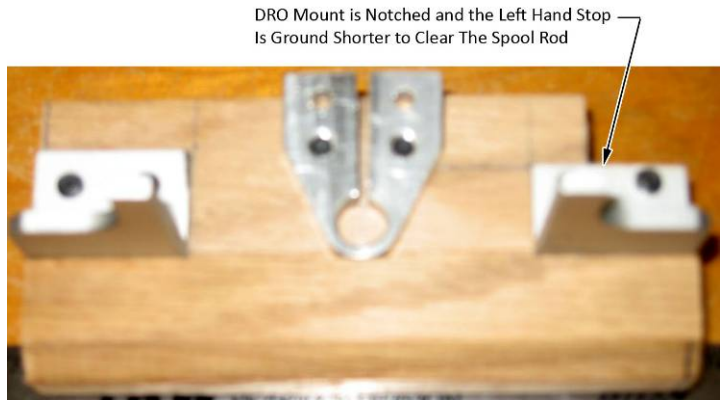


Figure 4

The next step was to mount the reader bar on the WR sliding bar. I centered reader bar on the sliding bar and drilled and tapped the mounting holes 1/2 inch from the upper surface. Figure 5 shows the DRO mounting before everything is reinstalled. Figure 6 shows the DRO just before it is slide into place. I countersunk a hole to restrain the mount once it was in place, Figure 7.

DRO Bar is Mounted Centered On the Sliding Bar  
Mounting Holes are 1/2" From The Top

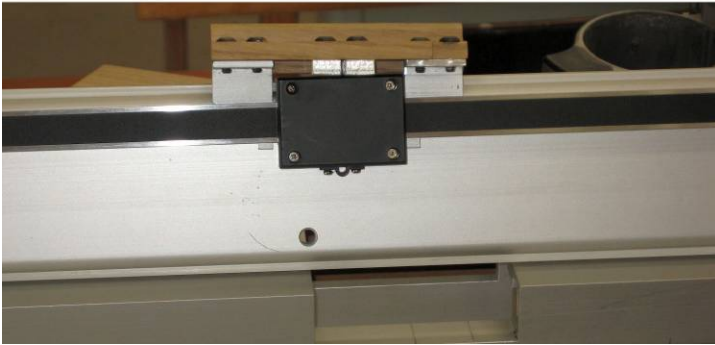


Figure 5



Figure 6

#6 x 1" Wood Screw to  
Restrain the Mount

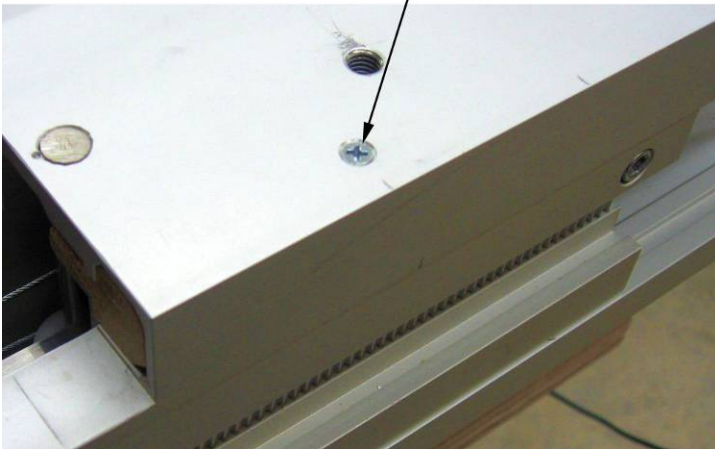


Figure 7

Drive Cable Routed  
Behind the Spool  
Post

Wood Rat Spool  
Replaced by a  
Router Boss Spool



Figure 8

The WR spool was replaced by a RB spool to provide more clearance at the reader head, Figure 8. It should be noted that the hole in the RB spool is 1/2 inch while the WR is 3/8 inch. This doesn't seem to affect the operation. I also routed the cable behind the spool rod to stop it from rubbing so much on the reader head case. So far there don't seem to be any problems with this routing.

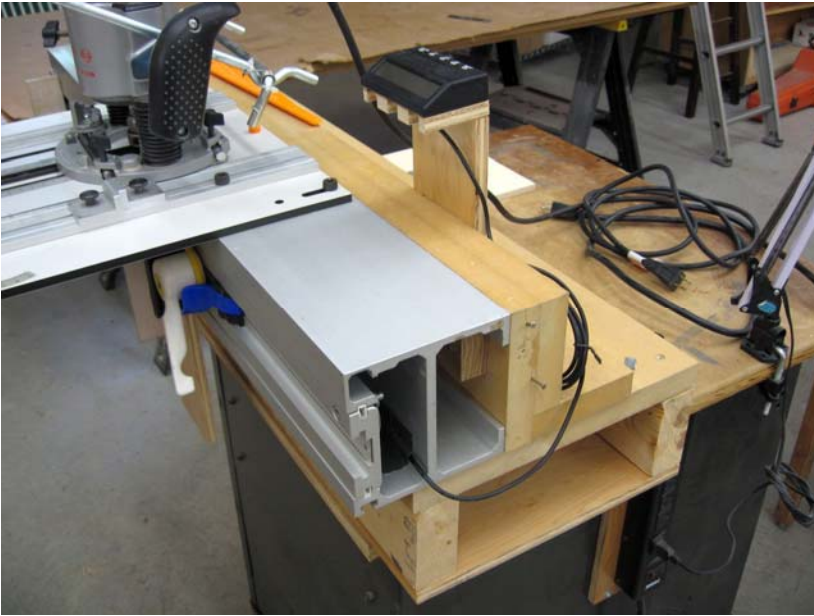


Figure 9

The last thing to do was to route the DRO wire out of the channel and mount the readout unit. I just built a temporary wooden 'L' bracket and attached it to the back side of my WR platform, . This way I can play around with different placements to see where I would like to mount the display permanently.

The DRO I mounted allows for approximately 27 ½ inches of total travel. The left hand fixed fence (marker position) is at the right hand edge of the dust chute with the slider tracked all the way to the right. The face of the right hand fixed fence (cutter position) is approximately 8 ¼ inches to the left of the router centerline with the slider tracked all the way to the left. The cutter position fence and clamp can be removed if a board wider than 8 inches needs to be machined.